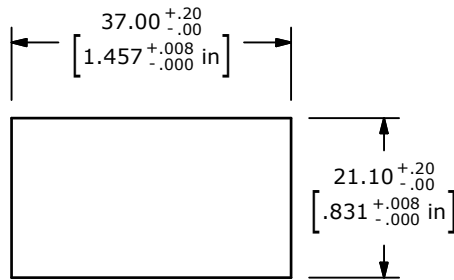
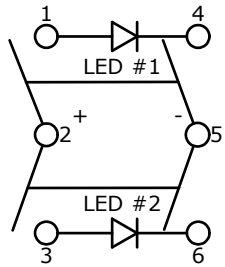
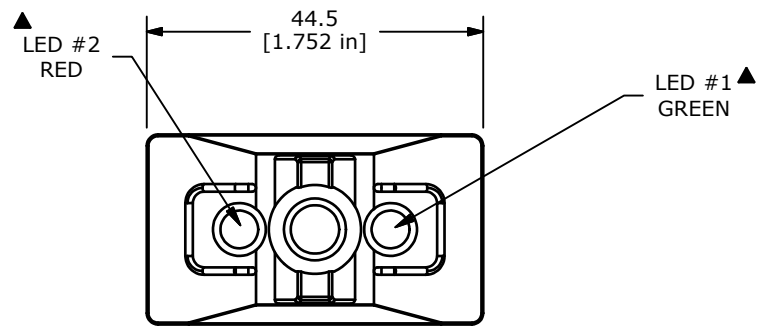


| ▲ SWITCH FUNCTION | | |
|-------------------|--------|----------|
| POS. 1 | POS. 2 | POS. 3 |
| | | |
| ON | OFF | ON |
| 1-2; 4-5 | OFF | 2-3; 5-6 |



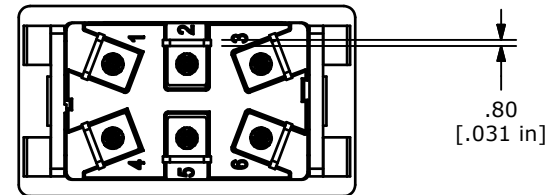
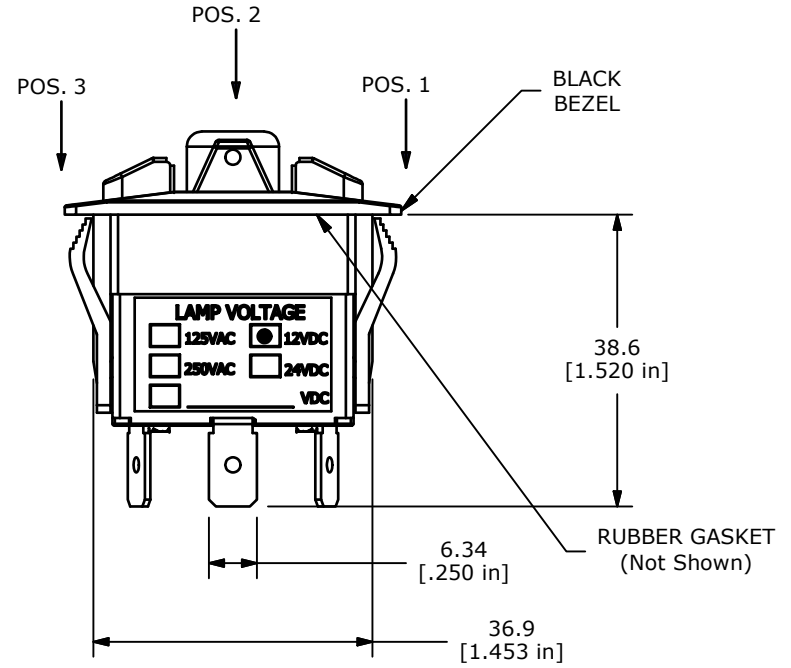
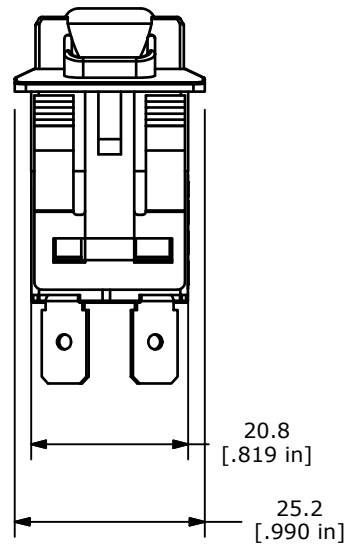
RECOMMENDED
PANEL CUT-OUT



CIRCUIT: DPDT
ON - OFF - ON

NOTES:

- ALL DIMENSIONS IN MM [INCH]
- GENERAL TOLERANCE: X.X=±0.4
X.XX=±0.25
- TERM. NOS. FOR REF. ONLY
- RATING: 16A @ 30VDC, 50/60 Hz, μT85/55
UL LISTED
- ELECTRICAL LIFE: 10,000 CYCLES
- MECHANICAL LIFE: 30,000 CYCLES
- CONTACT RESISTANCE: <20 MILLI-OHMS INITIAL
- DIELECTRIC STRENGTH: >1,500V AC 1MIN
- INSULATION RESISTANCE: >100 MOHMS @ 500VDC
- OPERATING TEMP: 0°C to 55°C
- ▲11. LED VOLTAGE: 12VDC
- ▲DENOTES CRITICAL PARAMETER.
- 2002/95/EC (ROHS) COMPLIANT



| | | | |
|--|----------------|-------|-------------|
| TITLE R723FXX-SXXX2X4GRX | | | |
| SCALE 1:1 | DATE 8/14/2013 | DR rc | DWG C720018 |
| THE INFORMATION CONTAINED IN THIS DOCUMENT IS PROPRIETARY TO E-SWITCH AND IS NOT TO BE COPIED OR TRANSFERRED | | | REV B |

| | | | | |
|-----|--------|-----------------|---------|----|
| B | 21355 | Drawing Cleanup | 1/15/14 | rc |
| A | 21250 | New Release | 8/14/13 | rc |
| REV | PCR NO | DESCRIPTION | DATE | BY |